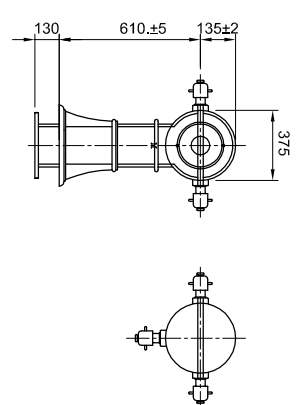
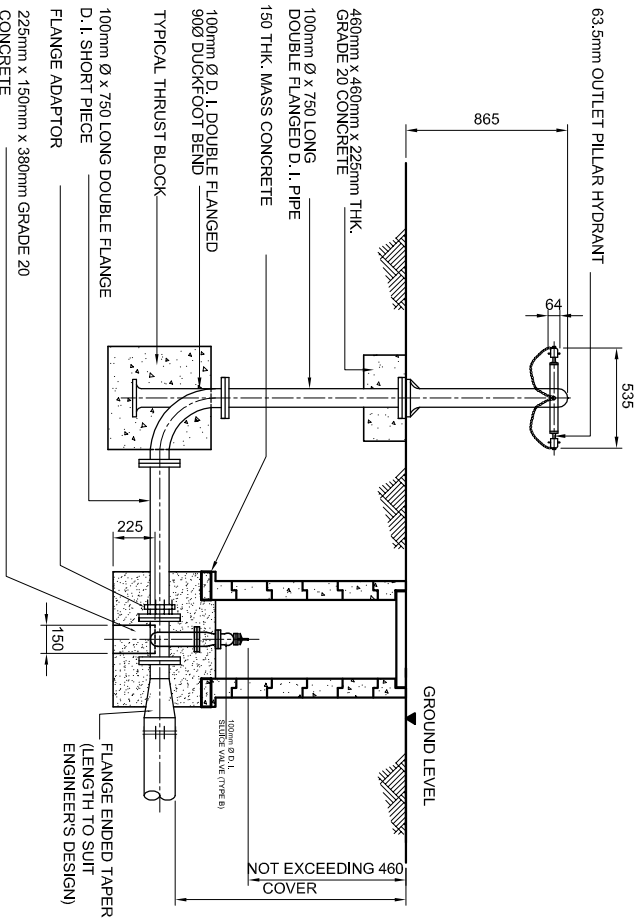


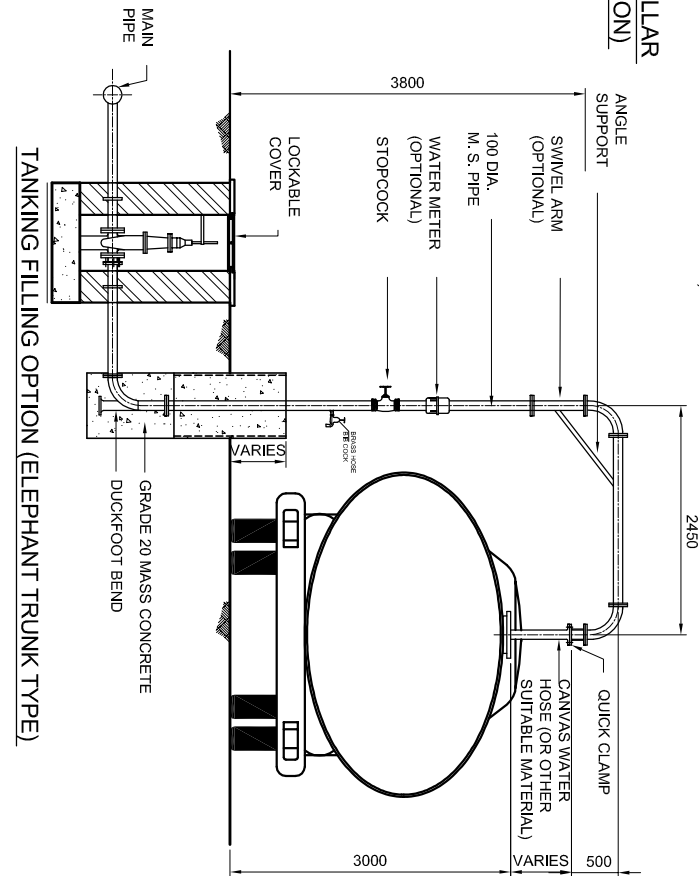
TYPICAL ARRANGEMENT OF 100mm Ø SLUICE VALVE AT 100mm Ø PILLAR HYDRANT WITH 63.5mm (2.5") OUTLET (AT INTERMEDIATE LOCATION)



TYPICAL TEE FOR INTERMEDIATE SECTION
100mm Ø x 750 LONG DOUBLE FLANGE D. I. SHORT PIECE (LENGTH TO SUIT ENGINEER'S DESIGN)



TYPICAL ARRANGEMENT OF 100mm Ø SLUICE VALVE AT 100mm Ø PILLAR HYDRANT WITH 63.5mm (2.5") OUTLET (AT DEAD END)



TANKING FILLING OPTION (ELEPHANT TRUNK TYPE)

NOTES:
1. ALL DIMENSIONS ARE IN MILLIMETRE AND LEVELS ARE IN METRE UNLESS OTHERWISE STATED.



SURUHANJAYA PERKHIDMATAN AIR NEGARA
Ara Bahari & Ara Satu
Prima Avenue, Blok 3510
63000 Cyberjaya
Selangor, Darul Ehsan, Malaysia

PREPARED BY:
MINCONSULT SDN. BHD.
No. 6, JALAN SRIWAZA,
MUKIM BANGSAR, WILAYAH
SELANGOR, 43000 SEREMBAN,
MALAYSIA.
TEL: 03-78575729
FAX: 03-78547575 / 78547573

DRAWING TITLE:
FIRE HYDRANT AND TANKER
FILLING OPTION

DRAWING NO:
SPAN/WS/STDIF/023